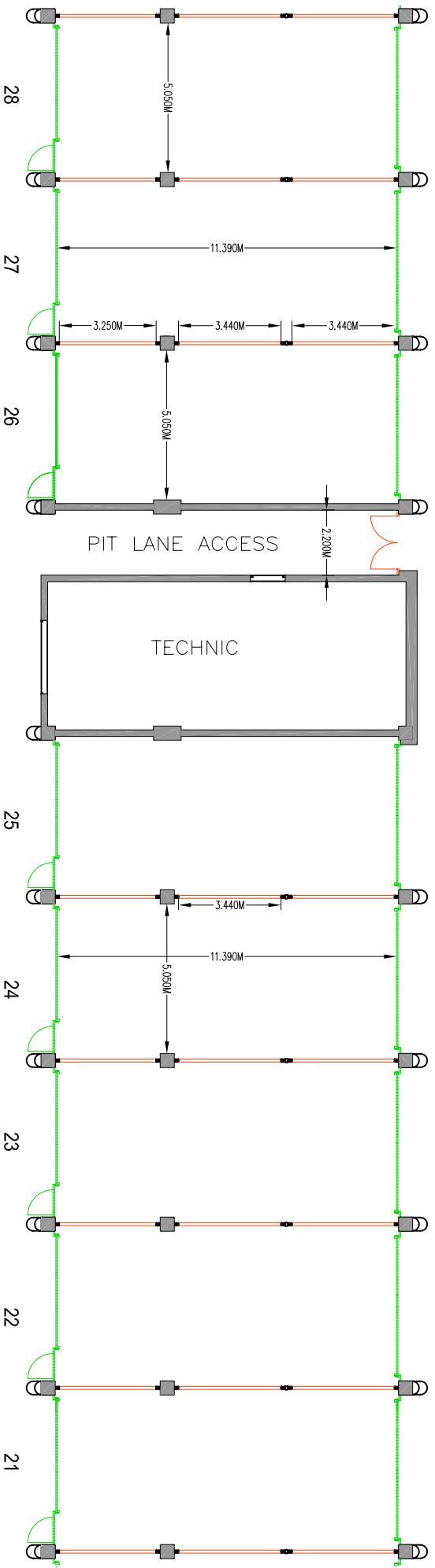


OASIS COMPLEX

LAYOUT PITS 28 - 21






PIT LANE 



STAIRCASE
TO UPPER
FLOORS

DC

LEGEND

-  WALL
-  OVERHEAD SHUTTER WITH DOOR
-  OVERHEAD SHUTTER
-  REMOVABLE STEEL PARTITION
-  CONCRETE COLUMN